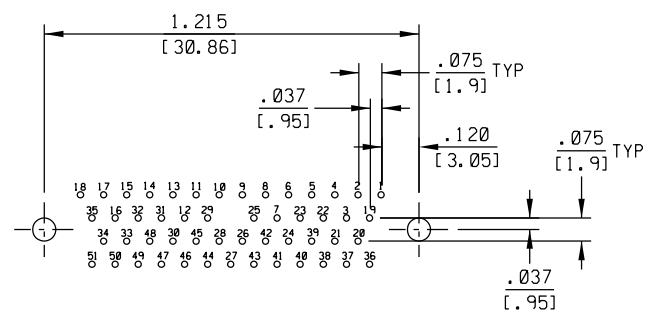
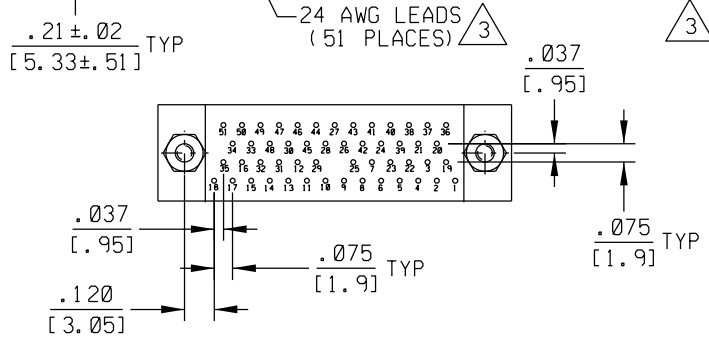
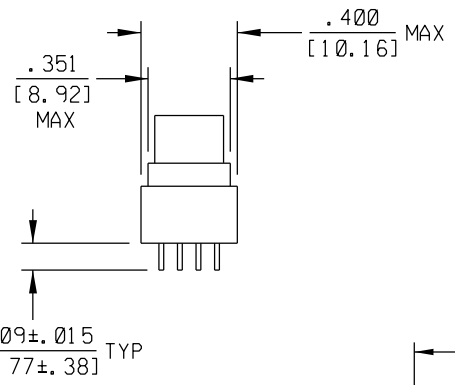
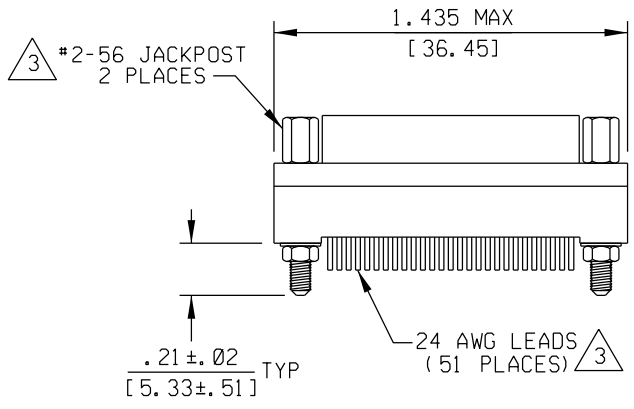
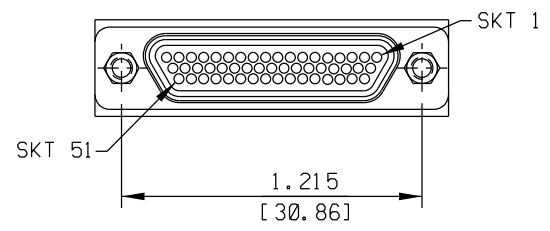


PART REV	DWG ISSUE	DATE	ECN NO.	APPVD BY	REL BY



4. PERFORMANCE: MEETS OR EXCEEDS REQUIREMENTS OF MIL-DTL-83513

- 3 CONSULT FACTORY FOR AVAILABLE OPTIONS
- 2 MATERIALS:  
 SHELL: 6061-T6 ALUMINUM PER SAE-AMS-QQ-A200/8,  
 NICKEL PLATED PER AMS 2404  
 INSULATOR AND BACKSHELL: PPS PER MIL-M-24519 GST-40F, COLOR: BLACK  
 SOCKET CONTACTS: C21000 BRASS ALLOY PER ASTM B36,  
 GOLD PLATED PER ASTM B488  
 24 AWG LEADS: TIN PLATED COPPER PER A-A-59551 TYPE S  
 HARDWARE: PASSIVATED STAINLESS STEEL IAW MIL-DTL-83513/5  
 INTERFACIAL SEAL: FLUOROSILICONE PER MIL-R-25988

1. MARKINGS: "UMI", UMI DATE CODE, AND UMI PART NUMBER.  
 NOTES: UNLESS OTHERWISE SPECIFIED.

QUALITY SYMBOLS MAJOR CRITICAL SPC	UNLESS SPECIFIED: ALL DIMENSIONS IN INCHES/MM	SCALE 2:1	DWG SIZE B	THIRD ANGLE PROJECTION	REVISE ON CAD ONLY
	GENERAL TOLERANCES: 3 PLACE ±.005/.13 2 PLACE ±.01/.25 ANGULAR ±2°	DRAWN BY & DATE DW 12-28-11	TITLE: CIRCUIT CONNECTOR, RECEPTACLE, SIZE 51-3, .075 X .075, CM7R51-3S07-S01		
	Ulti-Mate CAGE CODE <b>58967</b>	CHECKED BY & DATE	MATERIAL: 2 3 <b>Ulti-Mate</b> Connector Inc.		
		APPROVED BY & DATE	CAD FILENAME SD-836271 917.DGN	PART NO. 836271 917	DRAWING NO. SD-836271 917
			THIS DRAWING CONTAINS INFORMATION THAT IS PROPRIETARY TO ULTI-MATE INCORPORATED AND SHOULD NOT BE USED WITHOUT WRITTEN PERMISSION.		SHEET NO. 1 OF 1 REV