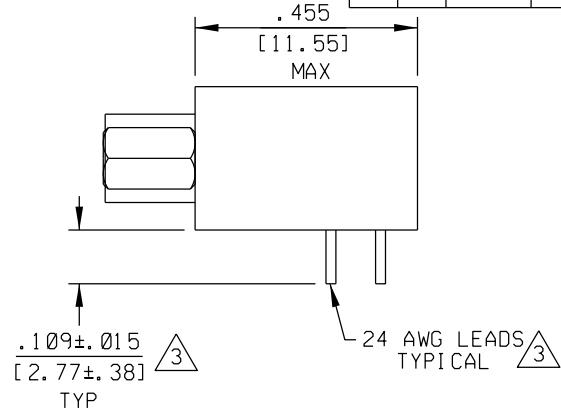
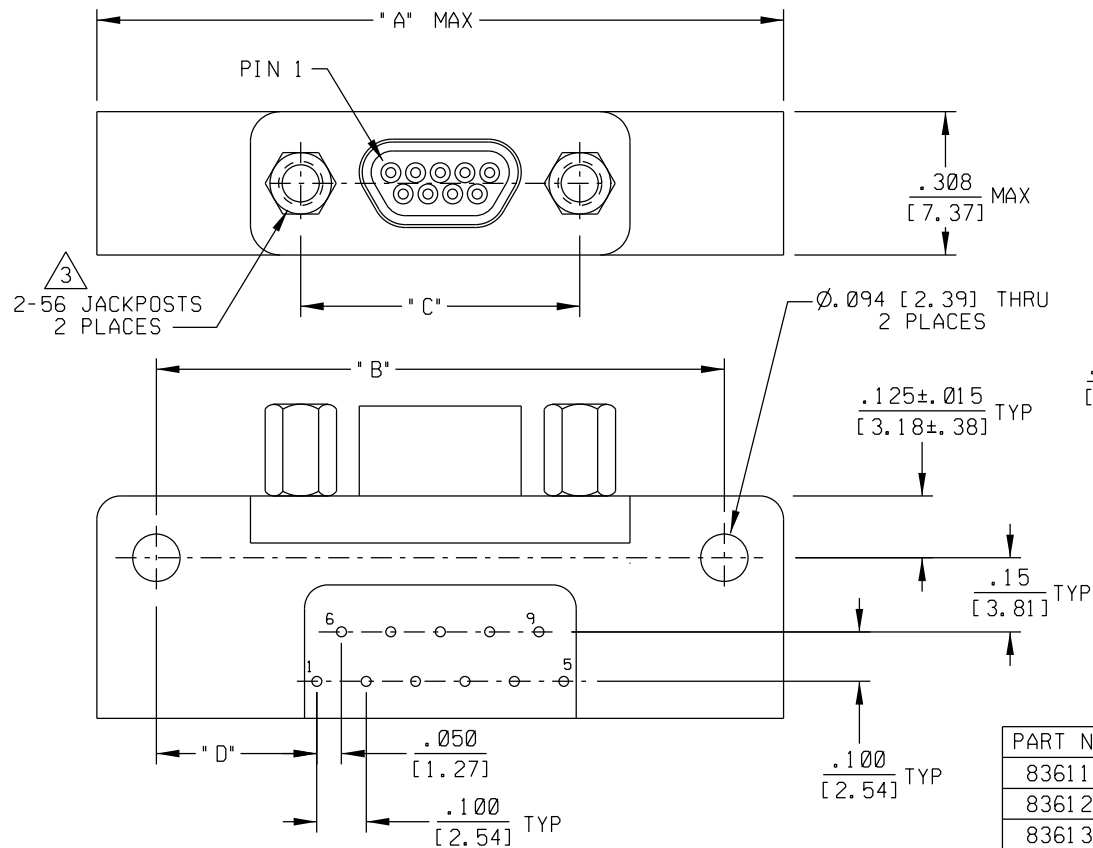


PART REV	DWG ISSUE	DATE	ECN NO.	APPVD BY	REL BY



PART NUMBER	SIZE	"A" MAX	"B"	"C"	"D"
836111517	9	1.390 [35.31]	1.150 [29.21]	.565 [14.35]	.375 [9.53]
836121517	15	1.540 [35.31]	1.300 [33.021]	.715 [18.16]	.300 [7.62]
836131517	21	1.690 [42.93]	1.450 [36.83]	.865 [21.97]	.225 [5.72]
836141517	25	1.740 [44.20]	1.500 [38.10]	.965 [24.51]	.150 [4.45]
836151517	31	2.040 [51.82]	1.800 [45.72]	1.115 [28.32]	.150 [3.81]
836161517	37	2.340 [59.44]	2.100 [53.34]	1.265 [32.13]	.150 [3.81]

- 5. PERFORMANCE: MEETS OR EXCEEDS REQUIREMENTS OF MIL-DTL-83513
- 4. SEE SHEET 2 FOR RECOMMENDED PCB LAYOUTS

3 CONSULT FACTORY FOR AVAILABLE OPTIONS

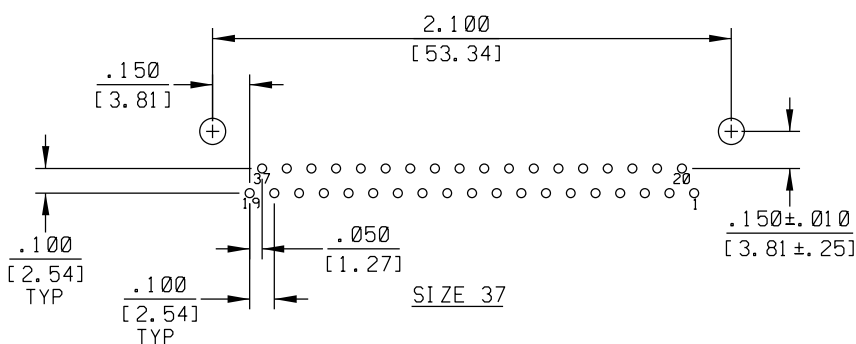
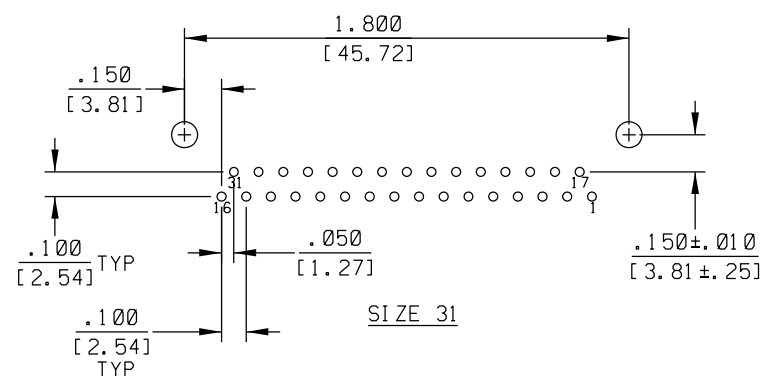
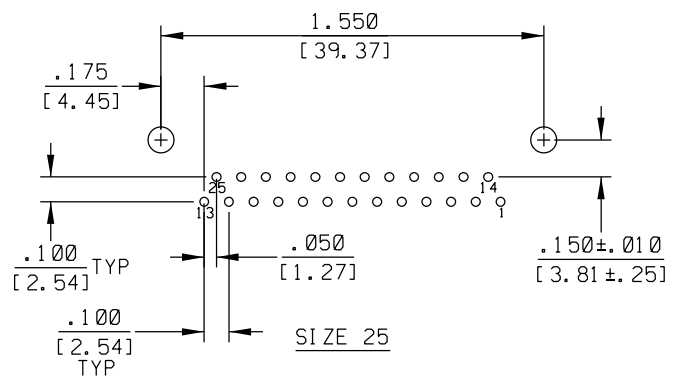
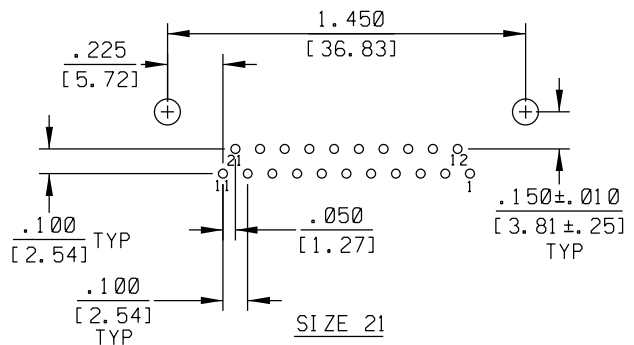
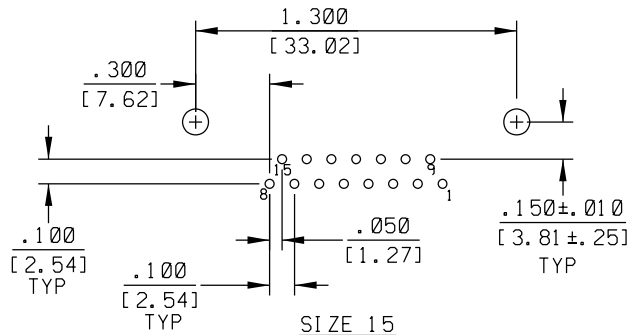
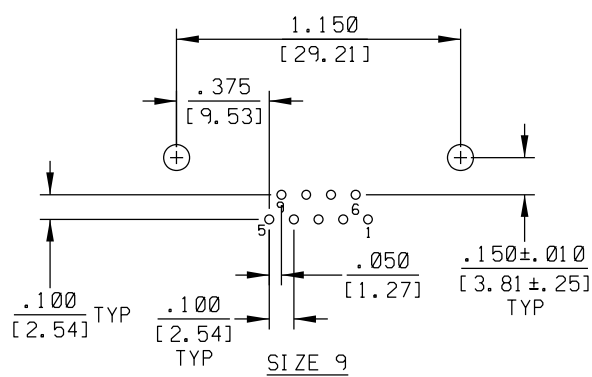
- 2 MATERIALS:
 SHELL: 6061-T6 ALUMINUM PER SAE-AMS-DD-A200/8, NICKEL PLATED PER AMS 2404
 PIN CONTACTS: C17200 BERYLLIUM COPPER PER ASTM B194, GOLD PLATED PER ASTM B488
 BACKSHELL AND INSULATOR: PPS PER MIL-M-24519 GST-40F, COLOR: BLACK
 24 AWG LEADS: TIN PLATED COPPER PER A-A-59551 TYPE S
 HARDWARE: PASSIVATED STAINLESS STEEL IAW MIL-DTL-83513/5
 1. MARKINGS: "UMI", UMI DATE CODE, AND UMI PART NO.

NOTES: UNLESS OTHERWISE SPECIFIED.

QUALITY SYMBOLS MAJOR CRITICAL SPC	UNLESS SPECIFIED: ALL DIMENSIONS IN INCHES/MM	SCALE N/A	DWG SIZE B	THIRD ANGLE PROJECTION	REVISE ON CAD ONLY
	GENERAL TOLERANCES: 3 PLACE ±.005/.13 2 PLACE ±.01/.25 ANGULAR ±2°	DRAWN BY & DATE DW 11-8-11		TITLE: CIRCUIT CONNECTOR, PLUG (PINS), STYLE 5 (2 ROW .100 X .100), SIZES 9 THRU 37, CM5RXXP07-S01	
	Ulti-Mate CAGE CODE 58967	CHECKED BY & DATE		MATERIAL: 2 3	
		APPROVED BY & DATE	CAD FILENAME SD-8361X1517-1.DGN	PART NO. SEE CHART	DRAWING NO. SD-8361X1517
	THIS DRAWING CONTAINS INFORMATION THAT IS PROPRIETARY TO ULTI-MATE INCORPORATED AND SHOULD NOT BE USED WITHOUT WRITTEN PERMISSION.				



PART REV	DWG ISSUE	DATE	ECN NO.	APPVD BY	REL BY



SEE SHEET 1

NOTES: UNLESS OTHERWISE SPECIFIED

QUALITY SYMBOLS MAJOR CRITICAL SPC	UNLESS SPECIFIED: ALL DIMENSIONS IN INCHES/MM	SCALE 4:1	DWG SIZE B	THIRD ANGLE PROJECTION	REVISE ON CAD ONLY	
	GENERAL TOLERANCES: 3 PLACE ±.005/.13 2 PLACE ±.01/.25 ANGULAR ±2°	DRAWN BY & DATE DW 11-3-11	TITLE: RECOMMENDED PCB LAYOUTS, CIRCUIT CONNECTOR, PLUG, STYLE 5 (.100 X .100), SIZES 9 THRU 37			
	Ulti-Mate CAGE CODE 58967	CHECKED BY & DATE	APPROVED BY & DATE		MATERIAL: SEE SHEET 1	
	CAD FILENAME SD-8361X1517-2.DGN	PART NO. SEE SHEET 1	DRAWING NO. SD-8361X1517	SHEET NO. 2 OF 2	REV	THIS DRAWING CONTAINS INFORMATION THAT IS PROPRIETARY TO ULTI-MATE INCORPORATED AND SHOULD NOT BE USED WITHOUT WRITTEN PERMISSION.