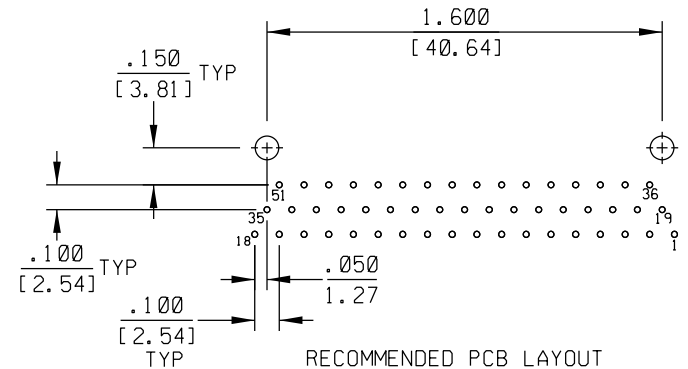
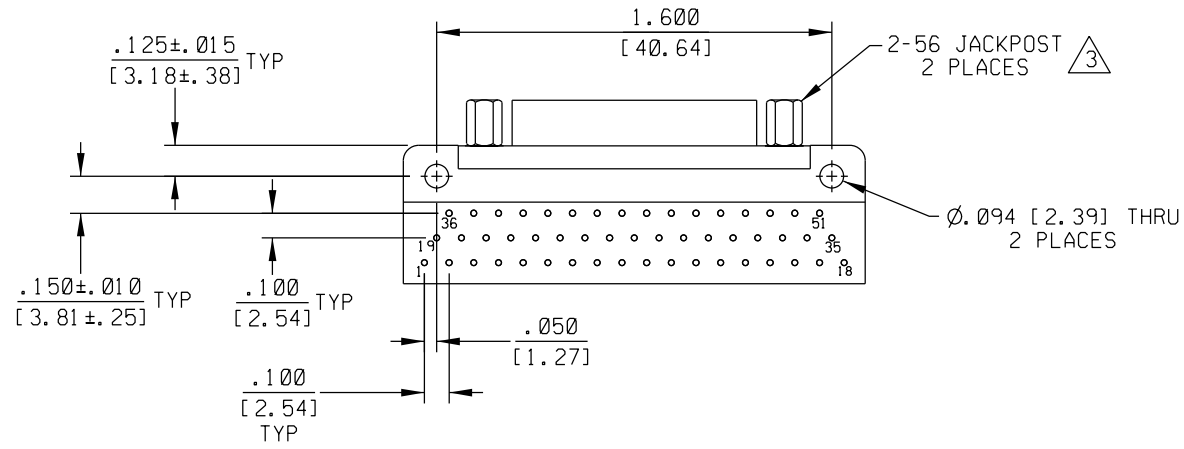
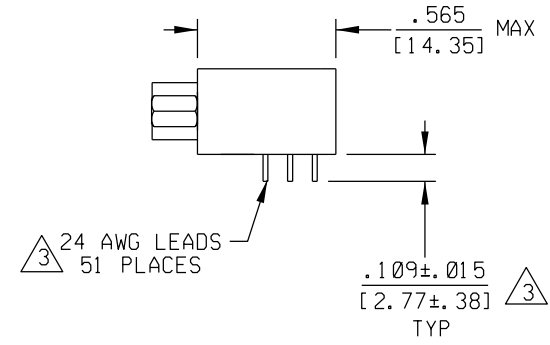
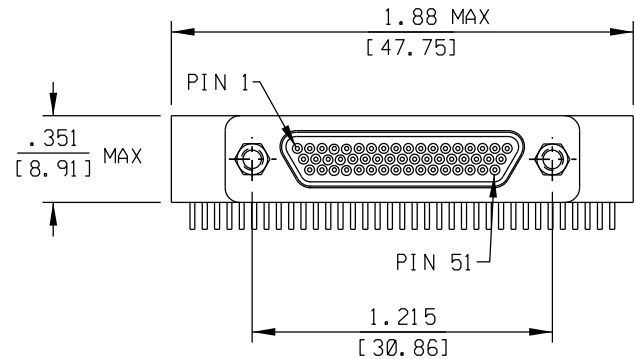


PART REV	DWG ISSUE	DATE	ECN NO.	APPVD BY	REL BY



4. PERFORMANCE: MEETS OR EXCEEDS REQUIREMENTS OF MIL-DTL-83513

3 CONSULT FACTORY FOR AVAILABLE OPTIONS

2 MATERIALS:
 SHELL: 6061-T6 ALUMINUM PER SAE-AMS-QQ-A200/8, NICKEL PLATED PER AMS 2404
 INSULATOR AND BACKSHELL: PPS PER MIL-M-24519 GST-40F, COLOR: BLACK
 PIN CONTACTS: C17200 BERYLLIUM COPPER PER ASTM B194, GOLD PLATED PER ASTM B488
 24 AWG LEADS: TIN PLATED COPPER PER A-A-59551 TYPE S
 HARDWARE: PASSIVATED STAINLESS STEEL IAW MIL-DTL-83513/5

1. MARKING: "UMI", UMI DATE CODE, AND UMI PART NUMBER

NOTES: UNLESS OTHERWISE SPECIFIED.

QUALITY SYMBOLS MAJOR ▼ = 0 CRITICAL ▽ = 0 SPC ▽ = 0	UNLESS SPECIFIED: ALL DIMENSIONS IN INCHES/MM	SCALE 2:1 DWG SIZE B	THIRD ANGLE PROJECTION	REVISE ON CAD ONLY		
	GENERAL TOLERANCES: 3 PLACE ±.005/.13 2 PLACE ±.01/.25 ANGULAR ±2°	DRAWN BY & DATE DW 11-9-11	TITLE: CIRCUIT CONNECTOR, PLUG (PINS), STYLE 5 (2 ROW .100 X .100), SIZE 51-3 (CM5R51-3P07-S01)			
	Ulti-Mate CAGE CODE 58967	CHECKED BY & DATE APPROVED BY & DATE	MATERIAL: 2 3		Ulti-Mate Connector Inc.	
	CAD FILENAME SD-8361 71 51 7, DGN	PART NO. 8361 71 51 7	DRAWING NO. SD-8361 71 51 7	SHEET NO. 1 OF 1		
THIS DRAWING CONTAINS INFORMATION THAT IS PROPRIETARY TO ULTI-MATE INCORPORATED AND SHOULD NOT BE USED WITHOUT WRITTEN PERMISSION.						