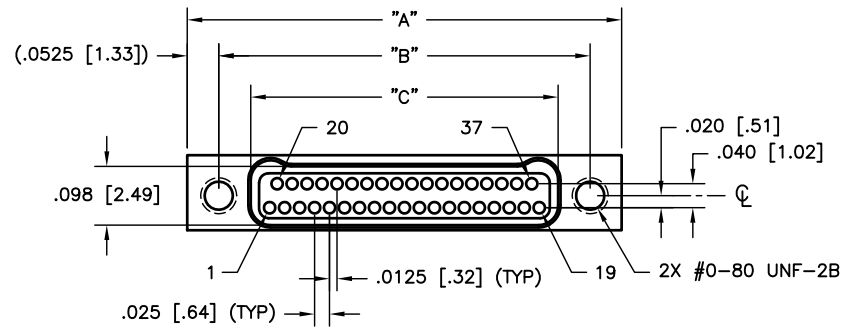
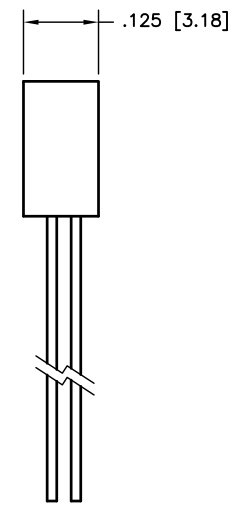
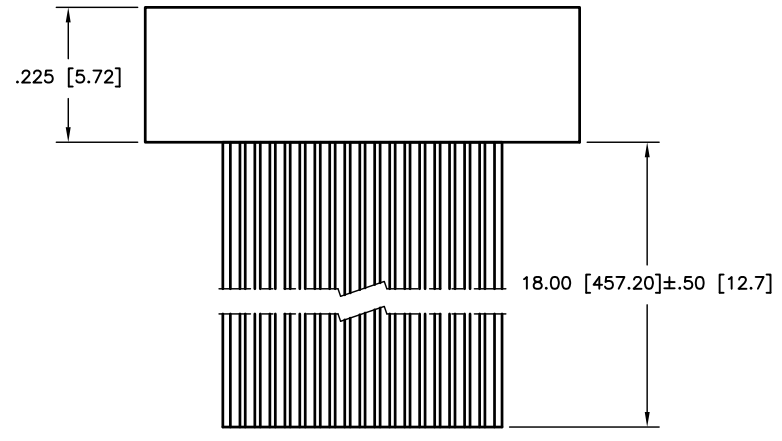


PART REV		DWG ISSUE	DATE	ECN NO.		APPVD BY	REL BY
-	-	-	02/17/11	UMI4304			



WIRING COLOR CODE

1, 11, 21, 31	—	BLACK
2, 12, 22, 32	—	BROWN
3, 13, 23, 33	—	RED
4, 14, 24, 34	—	ORANGE
5, 15, 25, 35	—	YELLOW
6, 16, 26, 36	—	GREEN
7, 17, 27, 37	—	BLUE
8, 18, 28	—	VIOLET
9, 19, 29	—	GRAY
10, 20, 30	—	WHITE



PART NO.	SIZE	"A"	"B"	"C"
833411627	9	.375 [9.52]	.270 [6.86]	.163 [4.14]
833421627	15	.450 [11.43]	.345 [8.76]	.238 [6.04]
833431627	21	.525 [13.33]	.420 [10.67]	.313 [7.95]
833441627	25	.575 [14.60]	.470 [11.94]	.363 [9.22]
833451627	31	.650 [16.51]	.545 [13.84]	.438 [11.12]
833461627	37	.725 [18.41]	.620 [15.75]	.513 [13.03]
833471627	51	.900 [22.86]	.795 [20.19]	.688 [17.47]
833481627	65	1.075 [27.30]	.970 [24.64]	.863 [21.92]

3. PERFORMANCE: MEETS OR EXCEEDS M32139 PERFORMANCE SPECIFICATIONS  
 CONTACT RATING: 1 AMPERE MAXIMUM  
 INSULATION RESISTANCE: 5000 MEGOHMS MINIMUM @ 100 VDC  
 CONTACT RESISTANCE: 0.071 VOLT MAXIMUM DROP @ 1.0 AMPS (.071 OHMS)  
 W/6.00" OF WIRE LISTED BELOW, PER MIL-DTL-32139
2. MATERIALS: SHELL: ALUMINUM 6061-T6, ELECTROLESS NICKEL PLATED PER AMS-C-26074  
 INSULATOR: LCP (LIQUID CRYSTAL POLYMER) GLCP-30F  
 CONTACT: BRASS ALLOY 735, GOLD PLATED PER ASTM B488  
 LEADS: 30 AWG, NEMA HP3, TYPE ET, COLOR CODED PER MIL-DTL-681, SYSTEM 1,  
 EXCEPT USING 10 SOLID REPEATING COLORS, 18.0" +0.5/-0 LONG
1. MARKINGS: UMI, DATE CODE, UMI P/N AS SPACE PERMITS
- NOTES: UNLESS OTHERWISE SPECIFIED

<b>QUALITY SYMBOLS</b> MAJOR = CRITICAL = SPC =	<b>UNLESS SPECIFIED:</b> ALL DIMENSIONS IN INCHES <b>GENERAL TOLERANCES:</b> 3 PLACE ±.005 2 PLACE ±.010 ANGULAR ±2°	<b>SCALE</b> 5:1 <b>DWG SIZE</b> B	<b>THIRD ANGLE PROJECTION</b> 	<b>REVISE ON CAD ONLY</b>	
	<b>DRAWN BY &amp; DATE</b> UMI 03-09-10	<b>CHECKED BY &amp; DATE</b>	<b>TITLE:</b> NANO-D DUAL ROW CONNECTOR FEMALE, SIZE XX, NMLXX-2S07-30F6-18.0 S01	<b>MATERIAL:</b> 	
	<b>APPROVED BY &amp; DATE</b>	<b>CAD FILENAME</b> SD-833461627.DWG	<b>PART NO.</b> SEE "TAB BLOCK"	<b>DRAWING NO.</b> SD-833461627	<b>SHEET NO.</b> 1 OF 1
	<b>Uti-Mate CAGE CODE</b> 58967	THIS DRAWING CONTAINS INFORMATION THAT IS PROPRIETARY TO ULTI-MATE INCORPORATED AND SHOULD NOT BE USED WITHOUT WRITTEN PERMISSION.			<b>REV</b> -