



Right Angle Audio Connector

Highly reliable, 5-, 6- or 11-contact, QPL quality audio connector for use in confined spaces under the most severe environmental conditions.

**COOPER** Interconnect

Features

- Durable stainless steel, passivated shell.
- Field proven 5, 6 and 11-contact designs, meets requirements of MIL-DTL-55116.
- Exclusive knurled cable adapter allows use of shielded cable (5, 6-contact up to 0.165" o.d., 11-contact up to 0.197" o.d.)
- Contacts are gold over nickel.
- 5 and 6-pin mate to standard M55116-style receptacles.

Benefits

- Right angle military-spec audio plugs allow up to 2-1/4" additional clearance when compared to straight connectors.
- Use in confined spaces or maintains original connector location in modified surroundings.
- Adjustable shell enables the cable to exit in eight possible directions.
- Simple twist-lock mating.



**Solutions
You Can
Trust**

Right Angle Audio Connector

Specifications

Materials & Finishes	
Shells	Stainless steel, passivated, sandblasted.
Insert & Contacts	
Insert	Diallyl phthalate.
Contacts	Copper alloy, 0.000030 gold over 0.001 nickel.

Electrical	
Dielectric Strength	500 Volts RMS.
Insulation Resistance	1000 Megohms Min.
Contact Resistance (mated)	0.05 Ohms, Max.

Mechanical	
Air Pressure	2.5 PSI.
Water Immersion	48 hours at 6 ft.
Mate/Unmate Durability	3000 cycles.

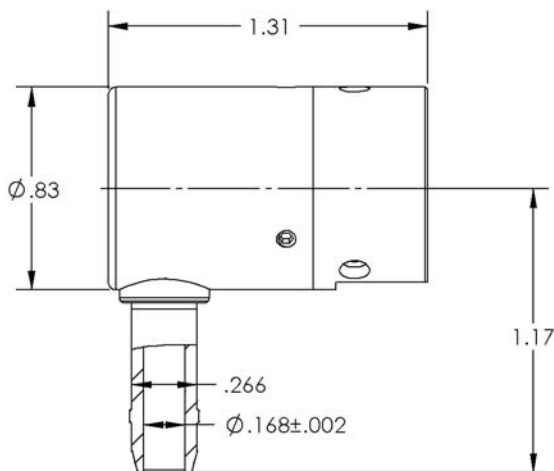


Part Numbers*

- 5-contact CI529RA-1
- 6-contact CI629RA-1
- 11-contact CI1129RA-1

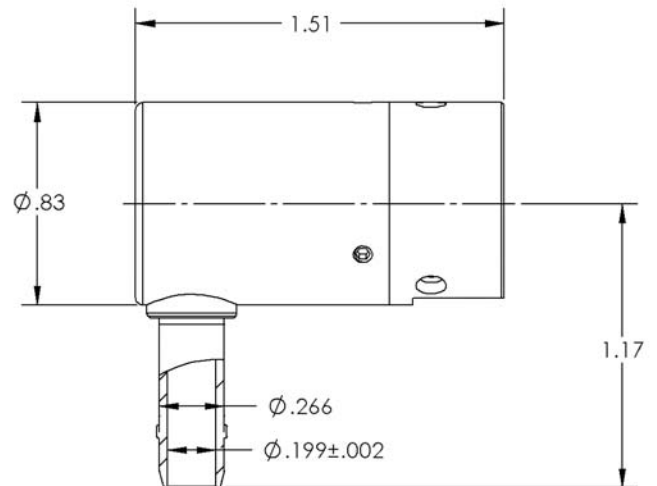
*Mates to appropriate MIL-DTL-55116 compatible connectors.

CI529RA-1 and CI629RA-1



CI529RA-1 and CI629RA-1
Opening accepts 6 conductors with a max insulation diameter of .045 each.
Backshell may be oriented in 8 positions in 22.5° intervals from position shown.

CI1129RA-1



CI1129RA-1
Opening accepts 11 conductors with a max insulation diameter of .045 each.
Backshell may be oriented in 8 positions in 22.5° intervals from position shown.