



11-Pin High Density Audio Connectors

Highly reliable, easy to connect, QPL quality 11-pin connector to carry additional high-speed signal lines in mission-critical applications

COOPER Interconnect



Features

- Carries an additional six signal lines for USB or other high-speed signals.
- Mating is accomplished quickly and easily with a simple twist-lock motion.
- Precision contacts are gold over nickel.
- Non-rigid contact in the receptacle are spring-loaded and self-cleaning, providing positive electrical connections.
- Durable stainless steel, passivated shell construction.

Benefits

- Reliability - Field proven design, meets the performance requirements of the latest version of QPL MIL-DTL-55116.
- Long-lasting solder terminals.
- See reverse for mating compatibility with M55116 connectors.
- Worry-free 3000 mate/unmating cycle rating.

**Solutions
You Can
Trust**

11-Pin Audio Connectors

Specifications

Materials & Finishes	
Shells	Stainless steel, passivated, sandblasted.
Insert & Contacts	
Insert	Diallyl phthalate, PBT.
Contacts	Copper alloy, 0.000030 gold over 0.001 nickel.

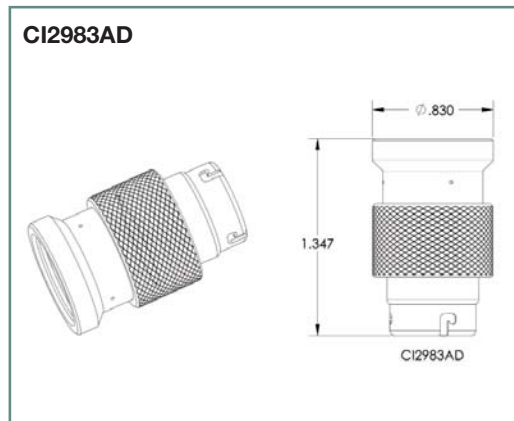
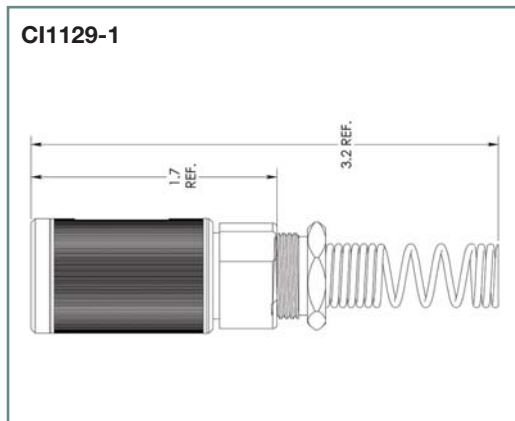
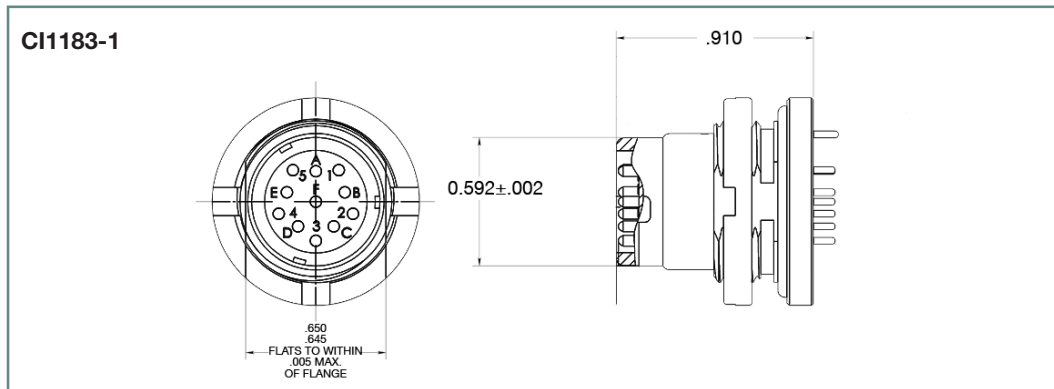
Electrical	
Dielectric Withholding Voltage	150 Vrms Min.
Insulation Resistance	1000 Megohms Min.
Contact Current	0.23 Amps Max.
Ground Pin Resistance	0.05 Ohms, Max.

Part Numbers

Panel	Intermateability	Cable
Standard 5-Pin U-183/U		Standard 5-Pin U-229/U
Standard 6-Pin GC283		Standard 6-Pin GC329
High-Density 11-Pin CI1183-1		High-Density 11-Pin CI1129-1
		High-Density 5-Pin CI5S29-1

*Uses Adaptor CI2983AD

Mechanical and Environmental	
Air Pressure	15 PSI
Mate/Unmate Durability	3000 cycles
Operating Temperature	-55° C to +85° C



These drawings provide for a level of quality and reliability assurance in accordance with the latest version of MIL-DTL-55116.

For more information, contact info@cooperinterconnect.com
 23 Front Street, Salem, NJ 08079
 P: 856-935-7560, ext. 232 F: 856-935-0102

www.cooperinterconnect.com